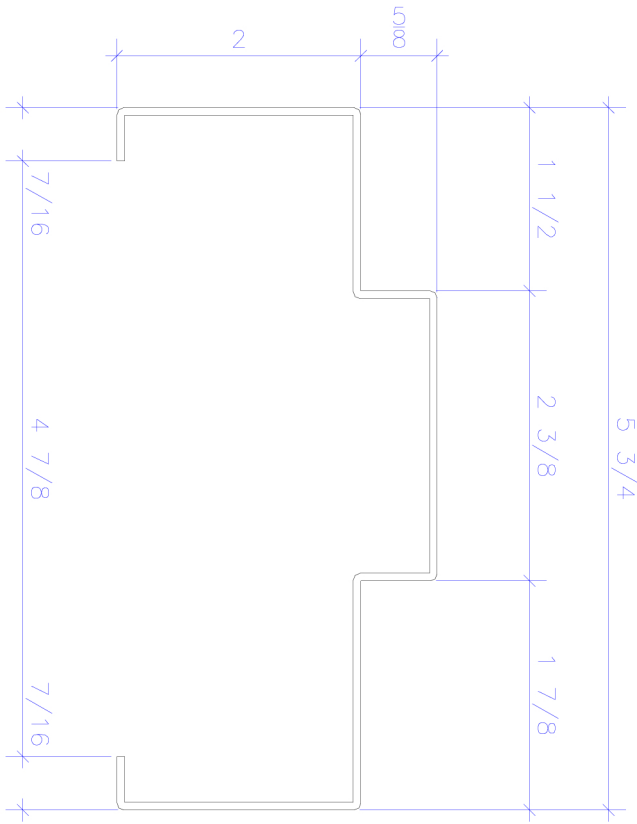
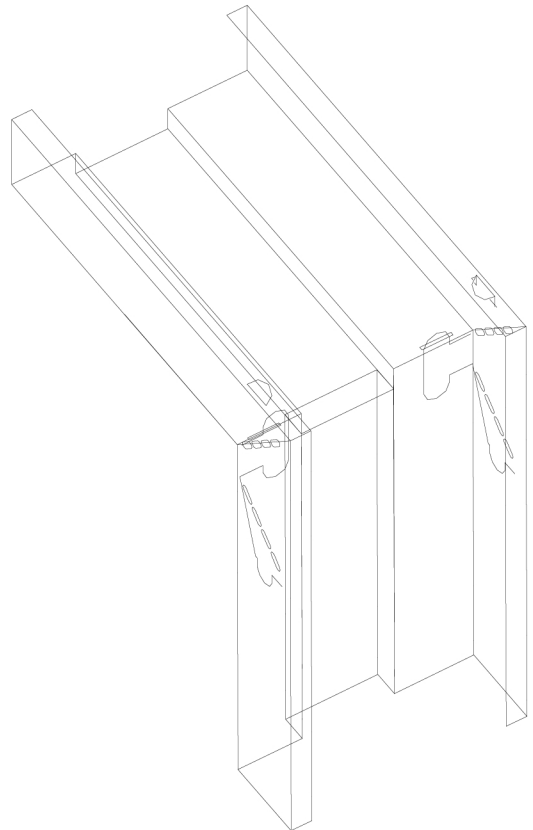




# AS 5 3/4" JD SECTION & PROFILE



SECTION THRU



CORNER PROFILE